

Strut *Foot*

Universal Flat Roof Support System



About Us

Our manufacturing division has been involved in offsite manufacturing for the M&E building service sector for over 20 years.

In the last 10 years we have developed the StrutFoot system for the support of HVAC equipment, cable management and mechanical services without the need to penetrate the roof membrane.

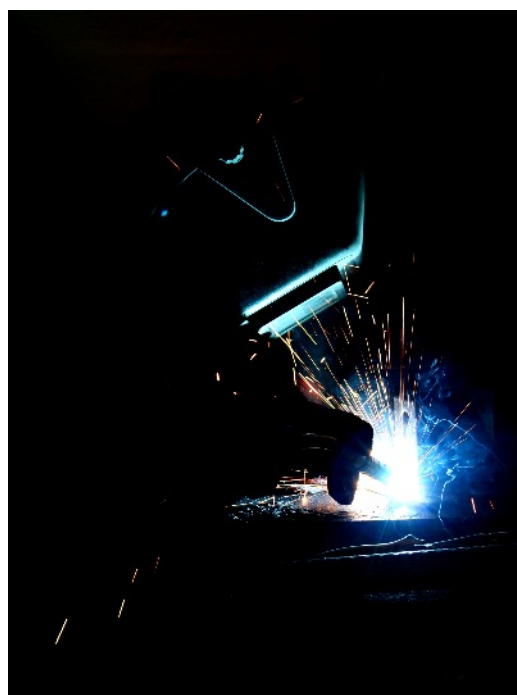
We pride ourselves in being the only UK manufacturer to offer design and manufacture of these products totally in house, including the injection moulding of the plastic feet used in our systems.

Design work and site surveys are carried out by our experienced engineers.

StrutFoot is a ISO 9001 and a 14001 accredited company and also a CE 1090 accredited company.

Contents

StrutFoot Around the World	1
StrutFoot Plastic Feet	2
StrutFoot Dual Foot & Basket Feet	3
StrutFoot H Frame Kits	4
StrutFoot Base & Plus	5
StrutFoot LD Frames	6
StrutFoot HD Frames	7
StrutFoot SFR Rubber Feet	8
StrutFoot SFR Mini Split & Angled Pads	9
StrutFoot SFR Vibro & AV Pads	10
StrutFoot Cantilever Kit	11
StrutFoot Fleeces & Mounting Blocks	12
StrutFoot Duct Adjuster	13
StrutFoot Angled Insert	14
StrutFoot Cushion Clamps	15
StrutFoot Beams	16
StrutFoot Quads	17
StrutFoot StepOver	18
StrutFoot Bespoke Access	19
StrutFoot Case Study	20-21



StrutFoot Around the World



Countries:

Australia, Austria, Belarus, Belgium, Bulgaria, Canada, China, Czech Rep, Denmark, Dubai, Estonia, Finland, France, Germany, Greece, Hungary, Ireland, India, Italy, Morocco, Netherlands, New Zealand, Nigeria, Poland, Portugal, Romania, Russia, Panama, Saudi Arabia, Slovenia, South Africa, Spain, Switzerland, United Kingdom & United States of America



Code	Description	Dimensions (inch) (L x W x H)	S.W.L (lbs Per Foot)
SF3200	R200 Plastic Foot	8 x 8 x 4 3/4	331
SF3105	R305 Plastic Foot	12 x 12 x 4 3/4	386
SF3505	R500 Plastic Foot	19 3/4 x 19 3/4 x 4 3/4	551

StrutFoot's plastic feet are made from 100% recycled High Density Polyethylene (HDPE). Each of our plastic feet are complete with an anti-vibration pad which are pre-attached. These help prevent polymer migration between the roof and the plastic. They can be used for different types of strut/box; 1 5/8 x 1 5/8" and 1 5/8 x 7/8".

Material Testing Report

Material	High Impact HDPE
Colour	Black
Company	Engineering Plastics R&D Centre
Test date	03.05.2015
Test conditions	Room temperature 23 deg for 24 hrs, humidity 50+/-5%
Injection temp	230-250 deg C
Melt index	10.2g/10min

Test Item	Units	Standard	Value
Tensile Strength	MPa	GB/T1040	16.9
Elongation at break	%	GB/T1040	13.7
Bending strength	MPa	GB9341	18.8
Notched Izod impact strength	KJ/m ²	GB/T1843	7.7

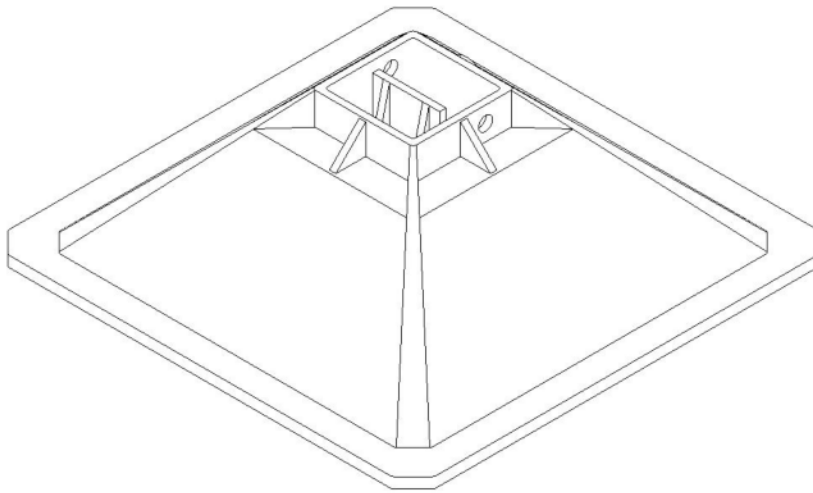
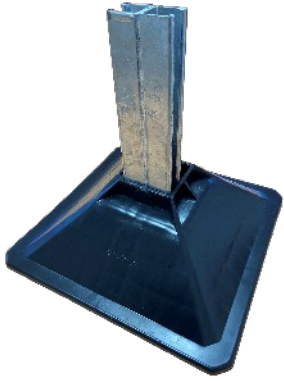
StrutFoot R400 Dual Foot

The new R400 Dual Foot has been designed to fit both 3x3" Box Section and 1 5/8 x 3 15/64" back to back channel. This foot has been designed and manufactured in house to offer flexibility in framing system installation.

It is made with a High Density Polyethylene (HDPE) plastic making it lightweight and very robust. There is an anti-vibration foam pad pre-attached meaning there is no penetration of/or reaction with the waterproof roof membrane.

Product Information

Part No	Feet Size (inch)	Product Weight (lbs)	S.W.L (lbs)
R400D	16	8.75	2205



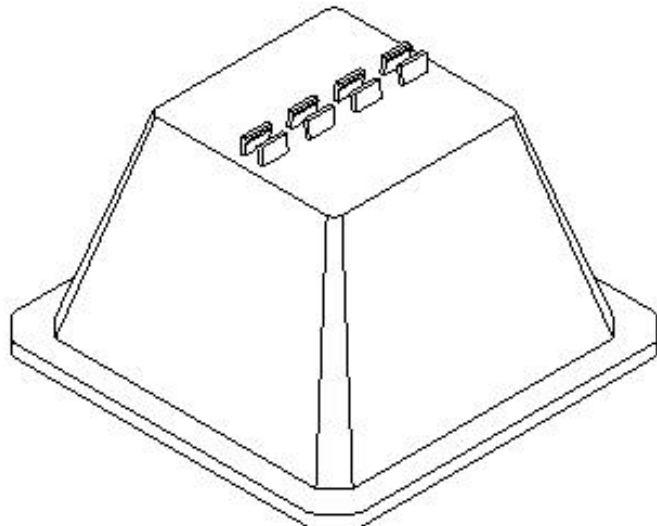
StrutFoot Basket Feet

StrutFoot have developed a new plastic foot to speed up the installation of basket tray. We have two products with a clearance of 1" and one with a 3" clearance.

It is made with a High Density Polyethylene (HDPE) plastic making it lightweight and very robust, click and go.

Product Information

Part No	Feet Size (inch)	Feet Height (inch)
SF3030	5 1/2	1
SF3080	5 1/2	3



The H Frame Kit is a quick and easy solution to support all cable management, ducting and pipe work.

H Frames are supplied in box form.

They are designed to use channel which is not included. As a module, our manufacturing department can fabricate the H Frames in house to speed up the process of installation on site.

H Frame Kit Includes

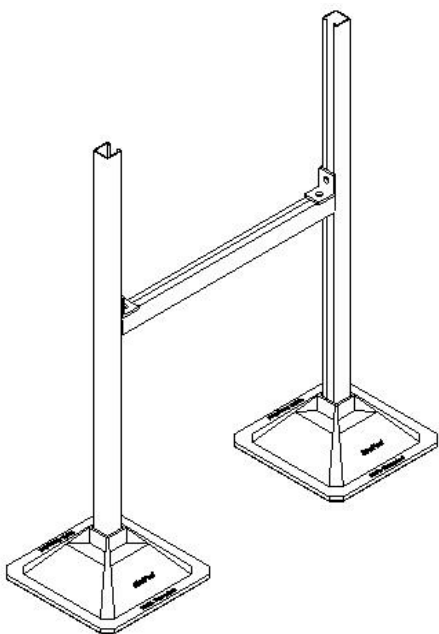
Product	Quantity
Plastic Feet	x 2
Fixing Kit	x 1

Product Information

Part No	Feet Size (inch)	Product Weight (lbs)	Frame S.W.L (lbs)
SF3305	12	9	771
SF3500	20	22	1102

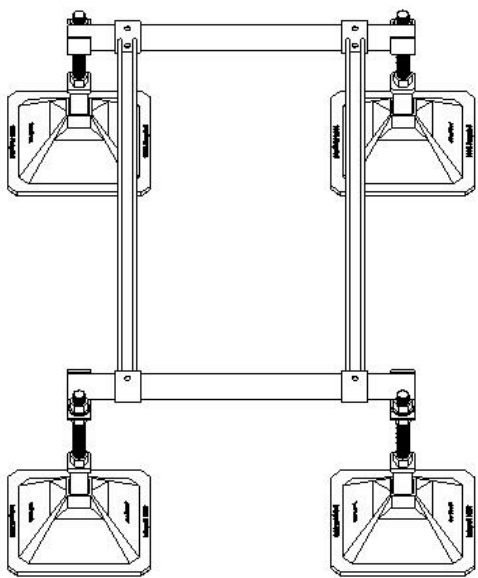


- High Density Polyethylene (HDPE)
- Designed to fit channel (not included)
- No penetration of waterproof roof membrane
- Anti-vibration pads pre attached to feet
- Off site cutting & delivering service available
- Available in 12" & 20"

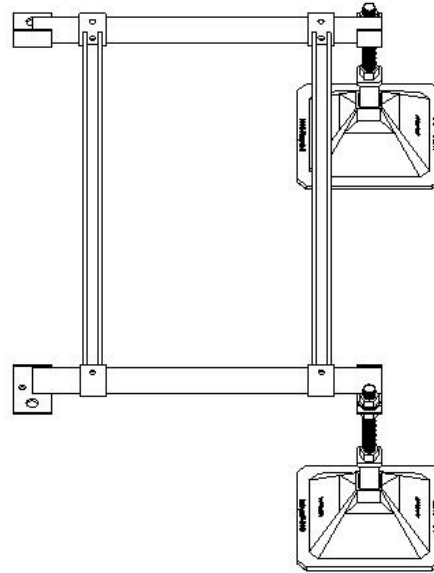




- Easy to adapt & extend to suit most installations and can be extended to any length.
- Channel framework provides strength & convenience for cable management installation
- Cross compatibility with all channel type brackets
- Fast & economical systems for mounting M&E services, Air Conditioning & Refrigeration on flat roofs
- Easy to install for individual products or complete installations
- No penetration of waterproof roof membrane
- Non drill system



StrutFoot Base System



StrutFoot Plus System

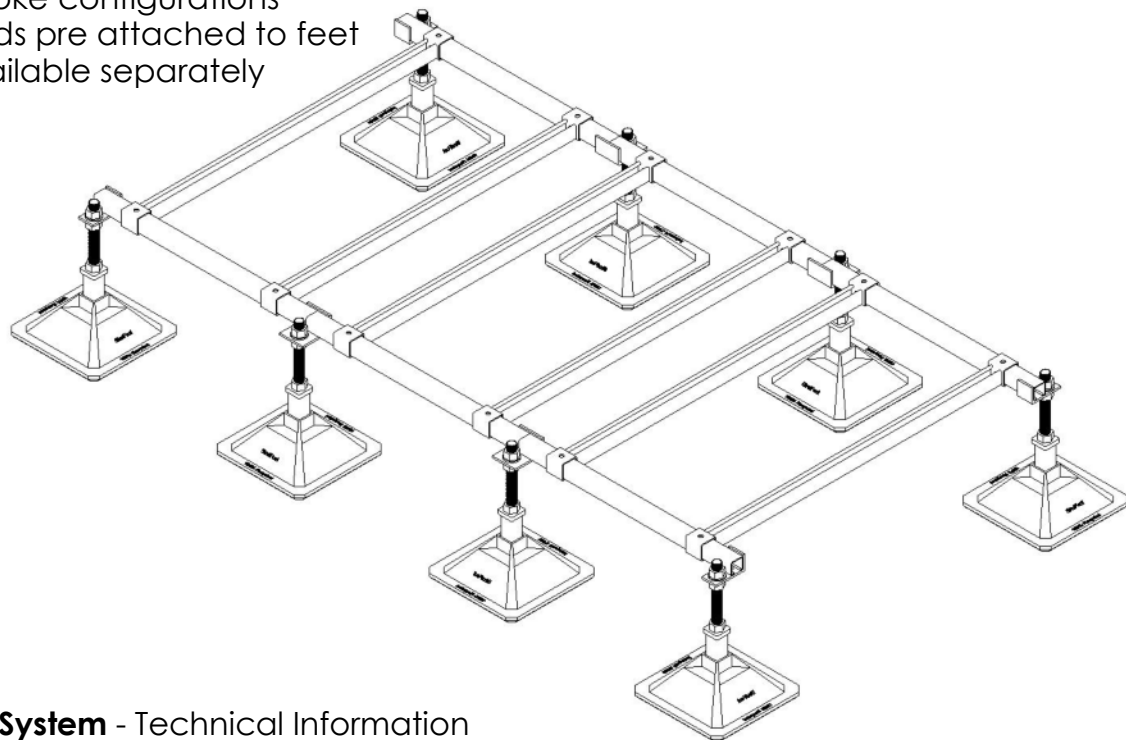
StrutFoot Support System - Technical Information

Part No	Product Description	Complete Leg Assembly	Sliding Arm	Side Rails (inch)	Sliding Arms (inch)	Product Weight (lbs)	Max S.W.L (lbs)
SF1002	StrutFoot Base	4	2	40	51	70	1543
SF1004	StrutFoot Plus	2	2	40	51	57	771



The **StrutFoot**TM Flat Roof Support System, offering total flexibility for design, layout & installation.

- Channel framework provides strength & convenience for cable management installation
- Cross-compatibility with all channel type brackets
- Fast & economical systems for mounting M&E services, Air Conditioning & Refrigeration on flat roofs
- Easy to install for individual products or complete installations
- No penetration of waterproof roof membrane
- Standard & bespoke configurations
- Anti-Vibration pads pre attached to feet
- Feet & blocks available separately



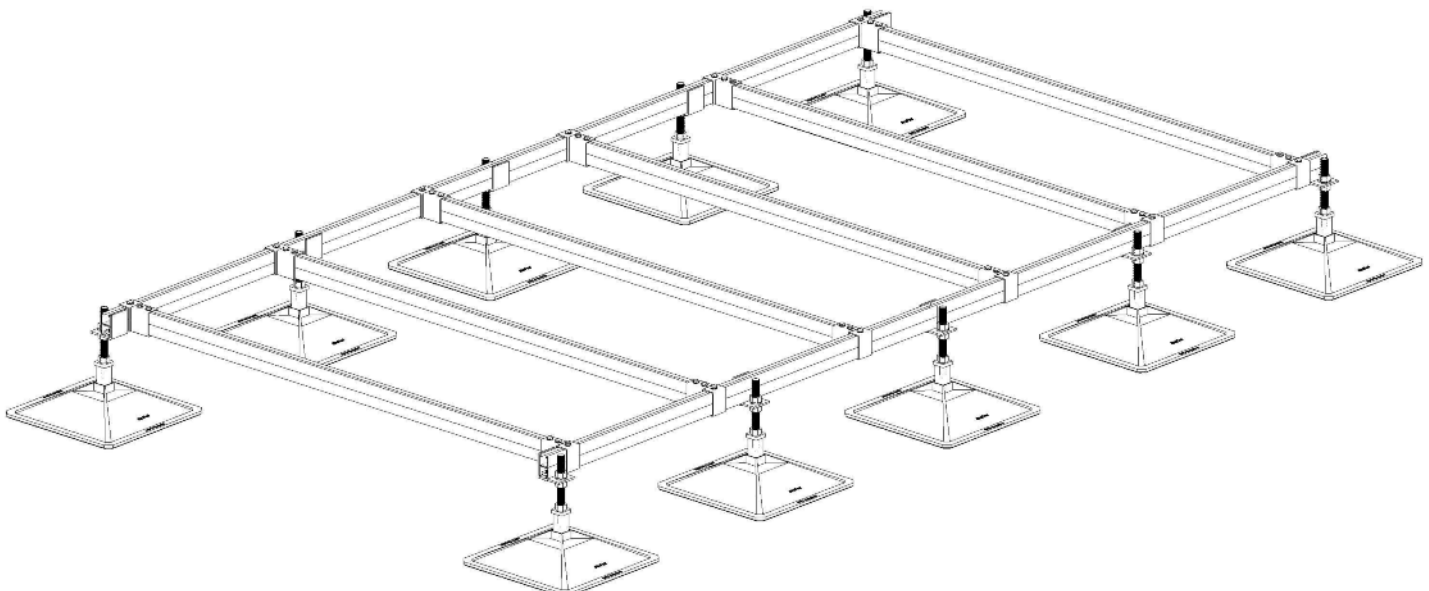
StrutFoot Support System - Technical Information

Part No	Product Description	Complete Leg Assembly	Sliding Arm	Side Rails (inch)	Sliding Arms (inch)	Product Weight (lbs)	Max S.W.L (lbs)
SF1302	StrutFoot 2	4	2	40	52	70	1543
SF1304	StrutFoot 4	6	4	80	52	119	2315
SF1306	StrutFoot 6	8	6	118	52	171	3086
SF1308	StrutFoot 8	10	8	157	52	222	3858
SF1310	StrutFoot 10	12	10	197	52	273	4630
SF1312	StrutFoot 12	14	12	236	52	326	5401



StrutFoot's HD system is predominantly used for large Air Handling Units and Chillers. Each system is manufactured in house enabling us to make the design suit the unit being supported.

The system has been designed using heavy duty 1 5/8 x 3 15/64" hot dipped galvanised channel. It has been designed for heavy loads, cable management and pipe work which can all be easily installed into the channel system.



Welding to ISO 9606-1

Galvanising to BS EN ISO 1461:1999

CE 1090

ISO 9001 Quality & ISO 14001

Environmental Certification Number 1753

Channel to BS6946



StrutFoot SFR Rubber Feet

The SFR range of recycled rubber feet has been designed to carry loads on non-penetrable roofs; which include pipe work, cable management and small units. We offer the SFR feet with Aluminium channel to ensure a high corrosion resistance.

Part No	Model	Length (inch)	Width (inch)	Height (inch)	Max Loading Per Foot (lbs)
SF4025	SFR250	10	7	4	352
SF4040	SFR400	15 3/4	7	4	529
SF4060	SFR600	23 3/4	7	4	992
SF4010	SFR1000	39 1/2	7	4	1421
SF4525	SFR250 Low	10	5	2	352
SF4540	SFR400 Low	15 3/4	5	2	529

Part No	Model	Length (inch)	Width (inch)	Height (inch)	Max Loading Per Foot (lbs)
SF1560	SFR600 High Block	23 1/2	5	6	992
SF1512	SFR1200 High Block	47	5	6	1421

MATERIAL SPECIFICATION

SBR-Recycled Rubber. Bound using a ratio of high quality moisture curing Polyurethane Pre-Polymer. BS7188:1989+A2:2009 and BS EN1176-7:2008

METAL PROFILE

Aluminium strut 15/8mm x 7/8" profile compatible with strut fixings.

WORKING CONDITIONS

Suitable for internal or external applications in temperatures between -40°F to +176°F. BSEN60068-2-14

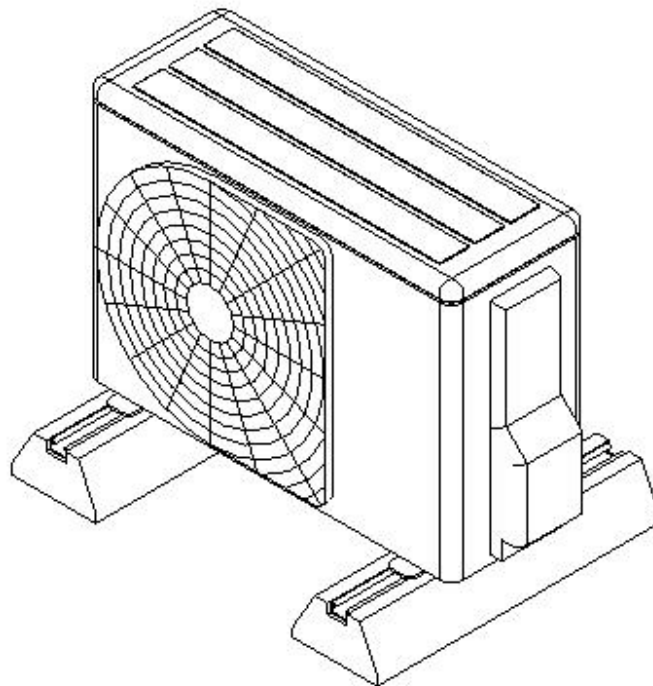


StrutFoot SFR Mini Split Kits

Part No	Description	Length (inch)	Width (inch)	Height (inch)	S.W.L per Kit (lbs)	Packaged Weight (lbs)
SF4044	Mini Split Kit SFR 400	15 3/4	7	4	1068	21
SF4066	Mini Split Kit SFR 600	23 3/4	7	4	1984	29
SF4011	Mini Split Kit SFR 1000	39 1/2	7	4	2843	48

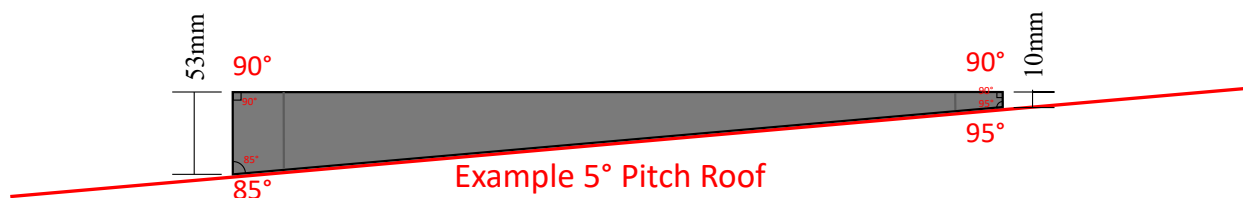
Kit Includes

Rubber Feet	x 2
Fixing Kit	x 2



StrutFoot Angled Rubber Pads

Part No	Description	Length (inch)	Width (inch)	Packaged Weight (lbs)
SF4071	SFR 305 2.5 Degree	12	12	4lb 3oz
SF4072	SFR 500 2.5 Degree	19 3/4	19 3/4	13lb 4oz
SF4073	SFR 305 5 Degree	12	12	3lb 8oz
SF4074	SFR 500 5 Degree	19 3/4	19 3/4	16lb 9oz

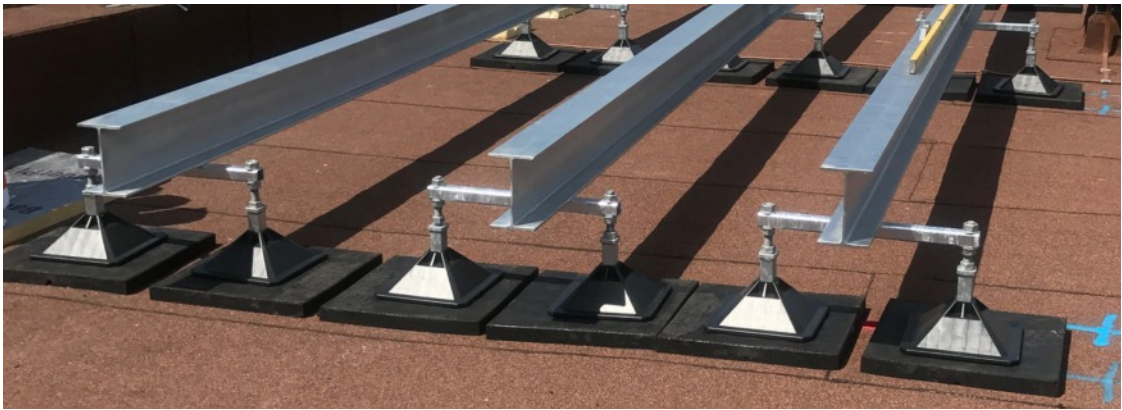


Both of the StrutFoot recycled rubber mats can be laid directly onto the roof to reduce the noise pollution going through the frame onto the roof.

They can be used as a walkway system or placed under any of our StrutFoot systems to separate the foam pad from the roof.

StrutFoot SFR Vibro Mats

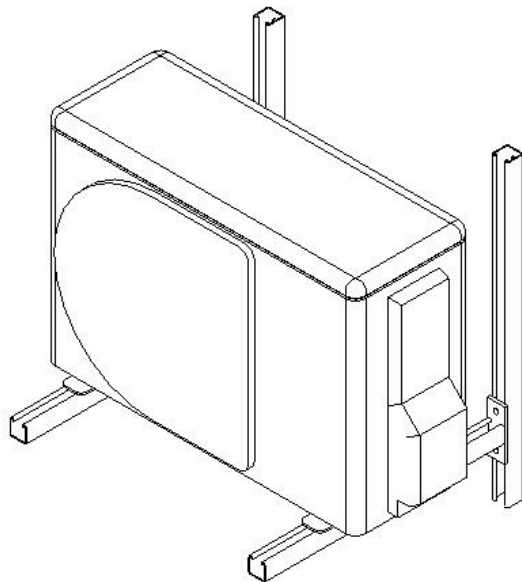
Part No	Description	Length (inch)	Width (inch)	Height (inch)	Packaged Weight (lbs)
SF4091	SFR Vibro Mat 330	13	13	2	8lb 13oz
SF4092	SFR Vibro Mat 500	19 3/4	19 3/4	2	16lb 9oz



StrutFoot SFR AV Pads

Part No	Description	Length (inch)	Width (inch)	Height (inch)	Packaged Weight (lbs)
SF4081	SFR 12" AV Pad	12	12	1/4	1lb 2oz
SF4082	SFR 19" AV Pad	19 3/4	19 3/4	1/4	1lb 14oz





StrutFoot's cantilever kits are available in 3 different sizes. They are a quick and easy solution to supporting air conditioning units and heat pump systems to the wall. These kits are supplied flat packed with all fixings required.

Part No	Description	Length (inch)	Width (inch)	Height (inch)	S.W.L per arm (lbs)	Packaged Weight (lbs)
SF6001	Cantilever Arm Kit - 450mm	18	1 1/2	29 1/2	571	18
SF6002	Cantilever Arm Kit - 600mm	24	1 1/2	29 1/2	419	20
SF6003	Cantilever Arm Kit - 750mm	30	1 1/2	29 1/2	331	22

Kit Includes

Cant Arms	x 2
750mm Strut Uprights	x 2
M10x25, M10FW, M10 Channel Nuts	x 8
M8x40 Loose Bolt	x 4
Black PVC End Caps	x 6



StrutFoot Fleeces



The StrutFoot fleece has been designed to suit both our plastic feet and rubber feet. They are used for in between asphalt and PVC roof membrane surfaces. This will therefore help prevent polymer migration between the plastic and rubber products.

Product Information

Part No.	Length (inch)	Width (inch)	Thickness (inch)
SF9010	8 1/2	8 1/2	4/25
SF9011	12 2/5	12 1/2	4/25
SF9012	20 7/25	20	4/25
SF9013	10	8	4/25
SF9014	15 3/4	8	4/25
SF9015	23 3/4	8	4/25
SF9017	39 1/2	8	4/25

StrutFoot Mounting Blocks

The StrutFoot mounting block is a solution for supporting small condensing units on a roof without penetrating the roof membrane. They are made from recycled PVC plastic and are UV stabilised.

Product Information

Part No.	Length (inch)	Width (inch)	Safe Working Load (lbs)
CB350	14	4	529
CB450	18	4	529
CB600	23 3/4	4	529
CB1000	39 1/2	4	529



They are manufactured in house enabling us to also offer bespoke sizes upon request.

87% quicker than standard installations

StrutFoot's adjustable ducting support system is now available for both our plastic feet and rubber feet. They both offer flexibility, a non-penetrative system and quick installation. The height of the duct adjuster can easily be changed using the thumb screw provided.

Product Information - Plastic Feet			
Part No.	Feet Size (inch)	Quantity	Packaged Weight (lbs)
SF5822	12	x 5	22
SF5844	19 3/4	x 2	30



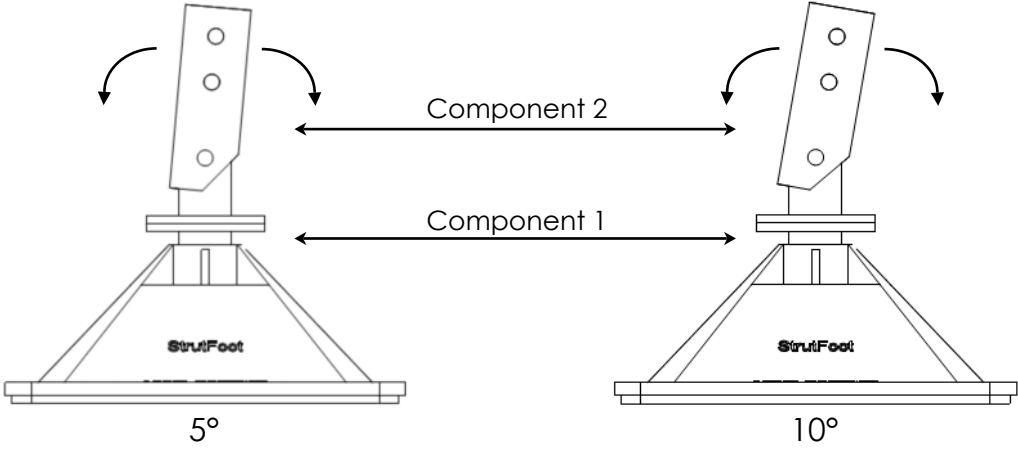
StrutFoot's adjustable ducting support system is now available for our standard rubber feet. The component is sold separately to the rubber foot.

- Non-penetrative duct support
- Quick and easy to install
- Rubber and plastic feet available
- Plastic feet incl Adhered anti-vibration pads
- Comfortable height adjustment using thumb screw
- Static max. Load 176lbs
- 5/8" stud for ducting support rings and clamps



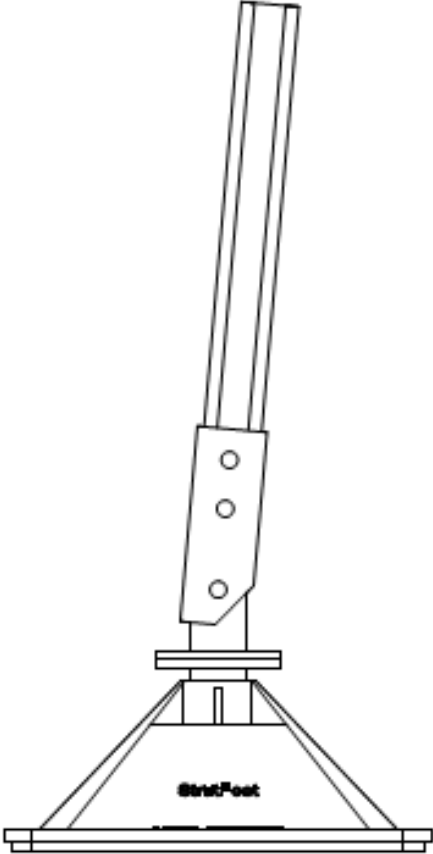
StrutFoot's new adjustable angled insert allows you to install on a pitched roof up to 10° allowing the framework to sit square. It has been developed so it can be used in both our R200, R305 & R500 plastic foot so it is universal with products already stocked by our suppliers.

It is made from galvanised steel making it suitable for roof applications. It is suitable for both 1 5/8 x 1 5/8" channel and box section.



Kit Includes

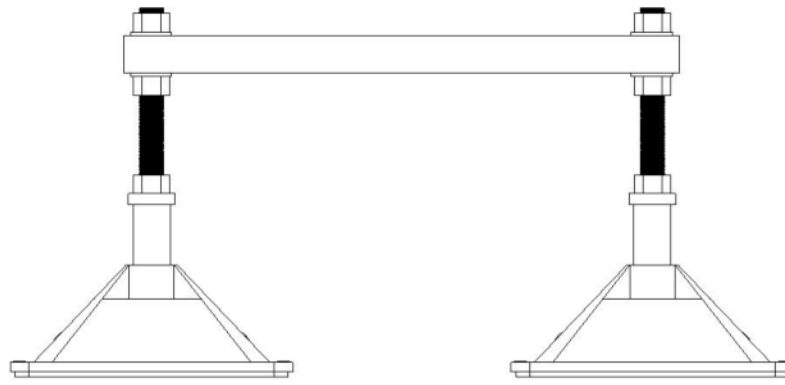
- R305/500 Plastic Foot
- Component 1
- Component 2



StrutFoot's cushion clamps are used to support copper refrigeration tube. They are supplied with a polymer insert which allows for a strong grip and absorbs shock and vibration running through the tube. A zinc dichromate plating ensures a corrosion resistance.

Part Code	Pipe Diameter	Pack QTY
SF004	1/4"	10
SF006	3/8"	10
SF008	1/2"	10
SF010	5/8"	10
SF012	3/4"	10
SF014	7/8"	10
SF018	1 1/8"	10
SF022	1 3/8"	10
SF026	1 5/8"	10
SF034	2 1/8"	10





The StrutFoot Beam is an adjustable heavy duty support system which is typically used with heavy Air Handling Units (AHU's) or when existing steel beams need to be picked up on the roof.

Part No.	Feet Size (inch)	Beam Size (inch)	Product Weight (lbs)	Frame S.W.L (lbs)
SFBEAMR305	12	24	22	771
SFBEAMR500	20	24	28.7	1102

- Adjustable heavy duty support system
- Used to pick up existing support beams
- Used to support AHU's
- Supplied with fixings
- Supplied to fit unit size
- Hot dipped galvanised (HDG) framework
- Available in 12" and 20" plastic feet

StrutFoot Beam Includes

Product	Quantity
Leg Assembly	x 2
Beam	x 1
Brackets	x 2





StrutFoot's quad system is a quick and easy solution to support large/heavy AHU's, chillers and plant rooms.

All the framework on each Quad system is HDG for outdoor use. It can be supplied using either our R305 or R500 plastic feet.

We manufacture a welded framework for both our quad to ensure strength and minimize the deflection in the strut.

StrutFoot Quad Adjustable

Part No.	Description	Feet Size (inch)	S.W.L (lbs)
SF6305	StrutFoot Quad R305 Adjustable	12	1543
SF6500	StrutFoot Quad R500 Adjustable	20	2204

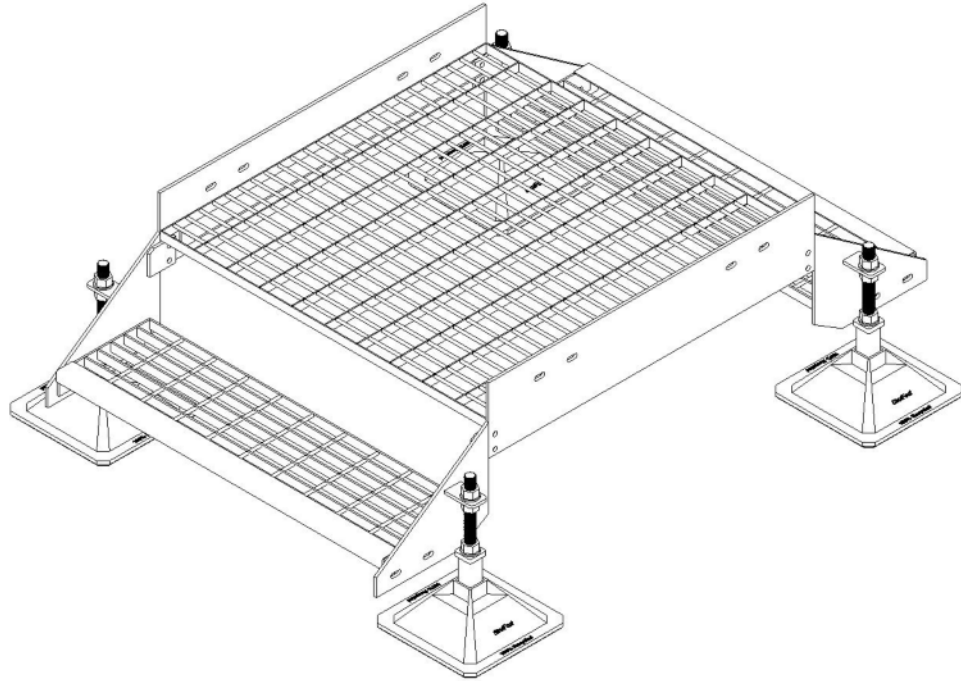


StrutFoot offer a full range of StepOvers to their customers. Each Stepover is complete with 40" wide steps, 40x40" platform and handrail.

With our in house design and manufacturing, StrutFoot can supply and install bespoke access to meet the customers specification.

The framework on all of our access is HDG ensuring it is suitable for roof applications. All of the leg assemblies supplied are adjustable and supplied with our R305 or R200 plastic feet.

All of the below systems are available from stock and easily installed.

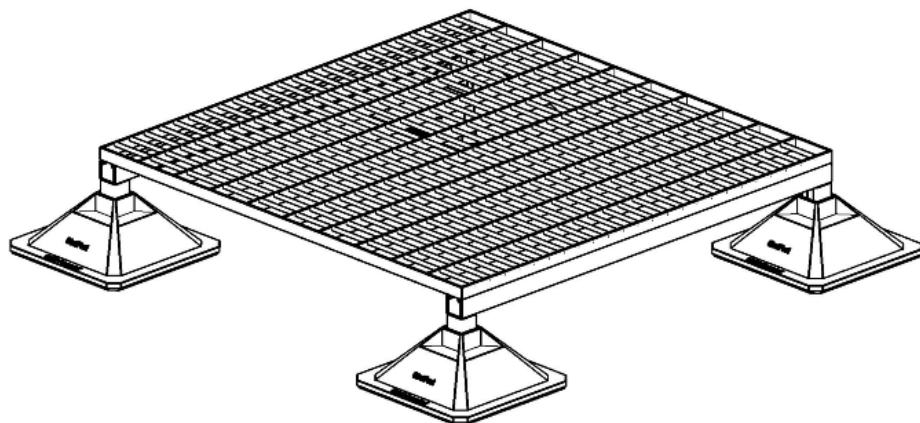


StrutFoot Stepovers

Part No.	Description	Feet Size (inch)	Platform Size (inch)
SF8010	SFA111 - 1 Step Stepover	12	40x40
SF8020	SFA212 - 2 Step Stepover	12	40x40
SF8030	SFA313 - 3 Step Stepover	12	40x40
SF8040	SFA414 - 4 Step Stepover	12	40x40

StrutFoot Platform

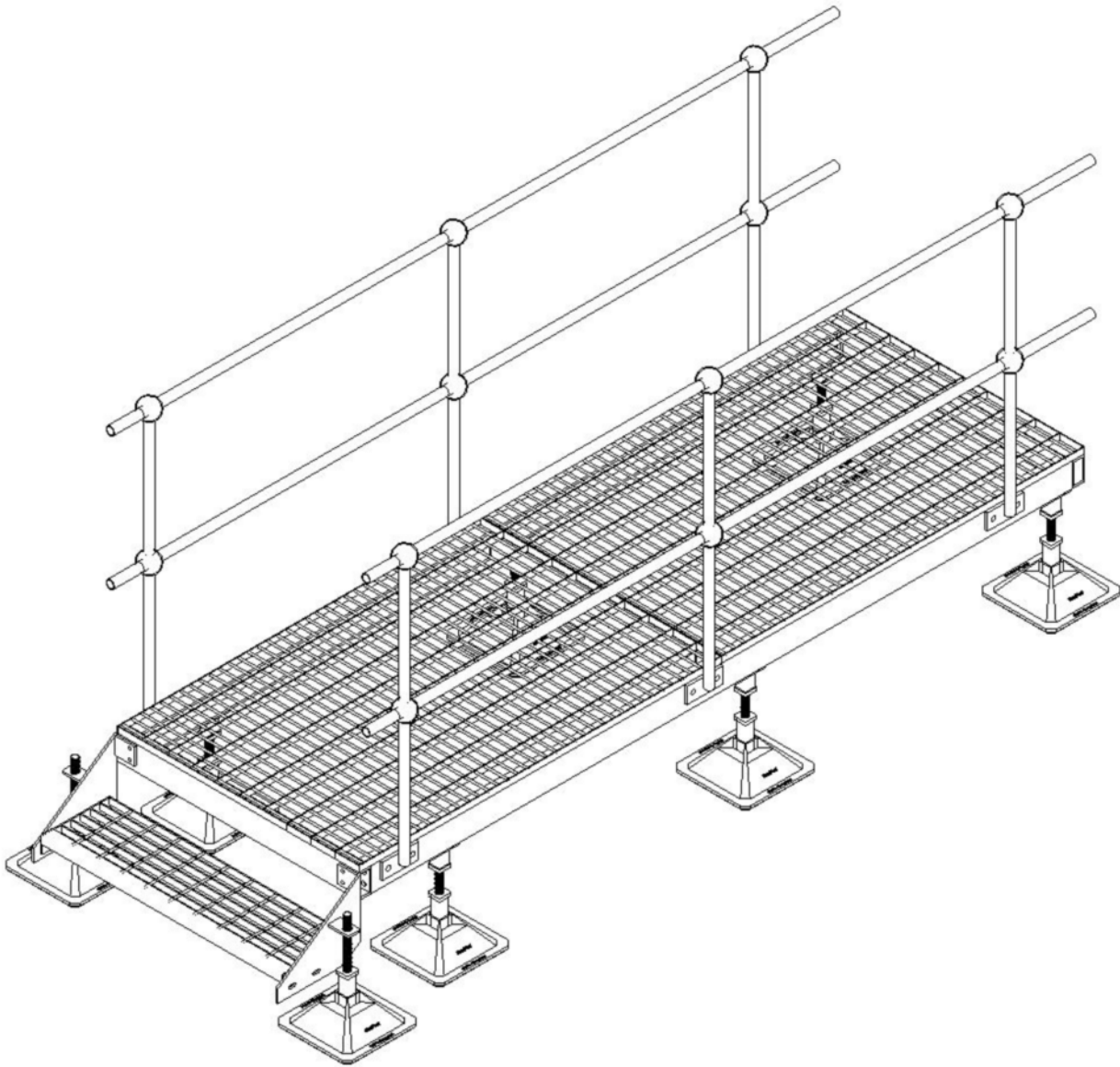
Part No.	Description	Feet Size (inch)	Platform Size (inch)
SF8050	SFA555 - StrutFoot Platform	12	40x40



StrutFoot are the only supplier who currently design and manufacture bespoke access in house.

Material:

- HDG Framework
- HDG/GRP open mesh flooring
- Handrail - key clamps & box section available upon request





StrutFoot originally supplied a HD frame to support a large AHU on the project. We were then asked to quote, design and install a bespoke platform and three bespoke Stepovers for a project in Southampton.

The client sent us all the technical information regarding requirements for the access; e.g. dimensions and clearance required.

We managed to get all the access manufactured, galvanised, delivered and installed within 23 days.





StrutFoot were tasked with designing roof top supports for AHU's, chillers and ductwork for a project in London.

The client issued us with the drawings and technical specifications for the project. Following a site survey we were able to offer a cost effective solution, designed, engineered and delivered to site in 5 working days to site.



After the installation of the StrutFoot frames, the final inspection was supervised by our Site Manager. The client was pleased with the solutions provided.

The customer requested access to fit just above the ductwork which was already situated on the roof.

Everything was again manufactured in house and delivered to site.

StrutFoot then sent out an installation team to build the framework which was completed in 5 working days.



Strut *Foot*

Universal Flat Roof Support System



+44 (0) 1922 650 174



sales@strutfoot.co.uk



www.strutfoot.co.uk